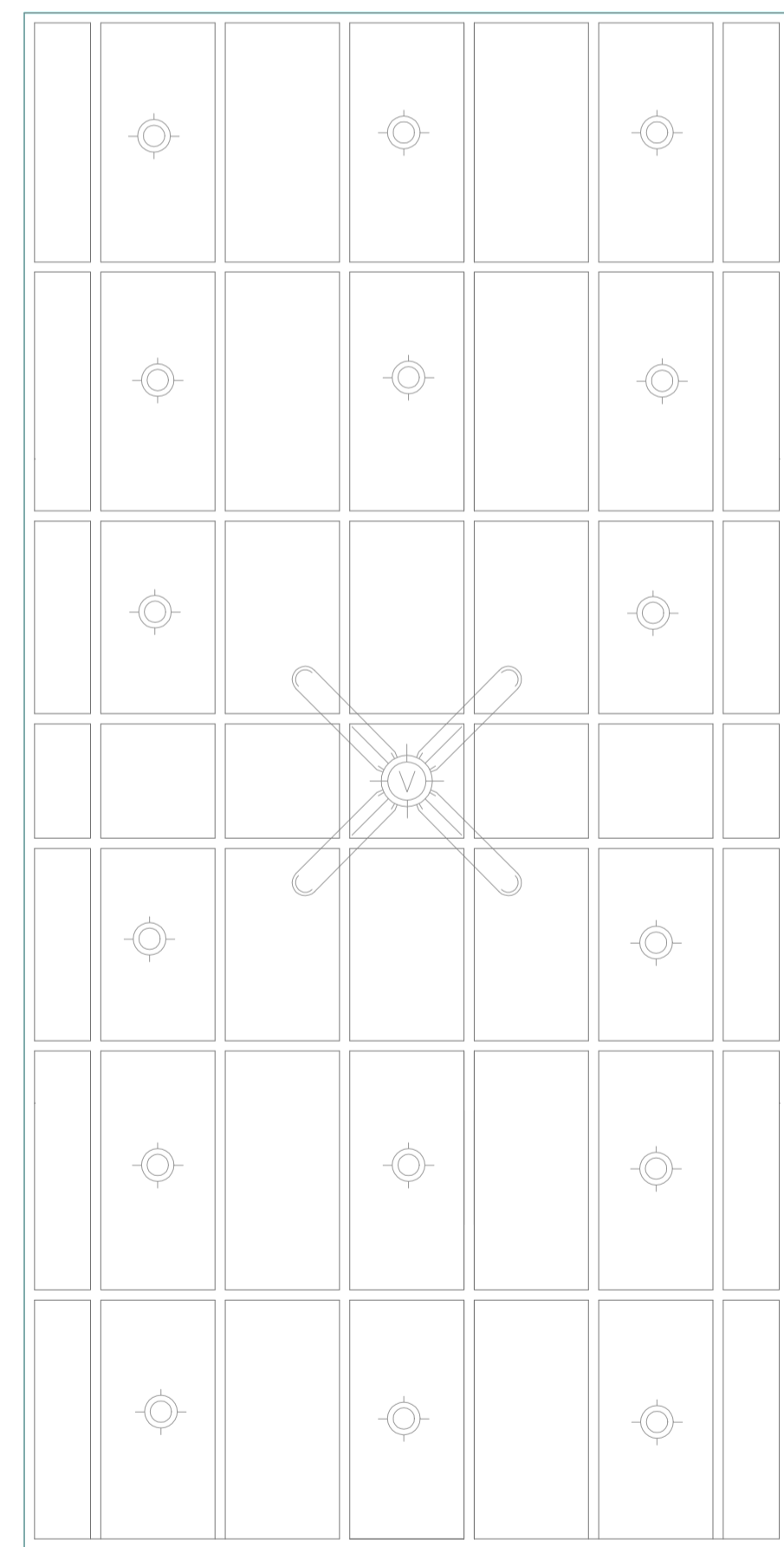


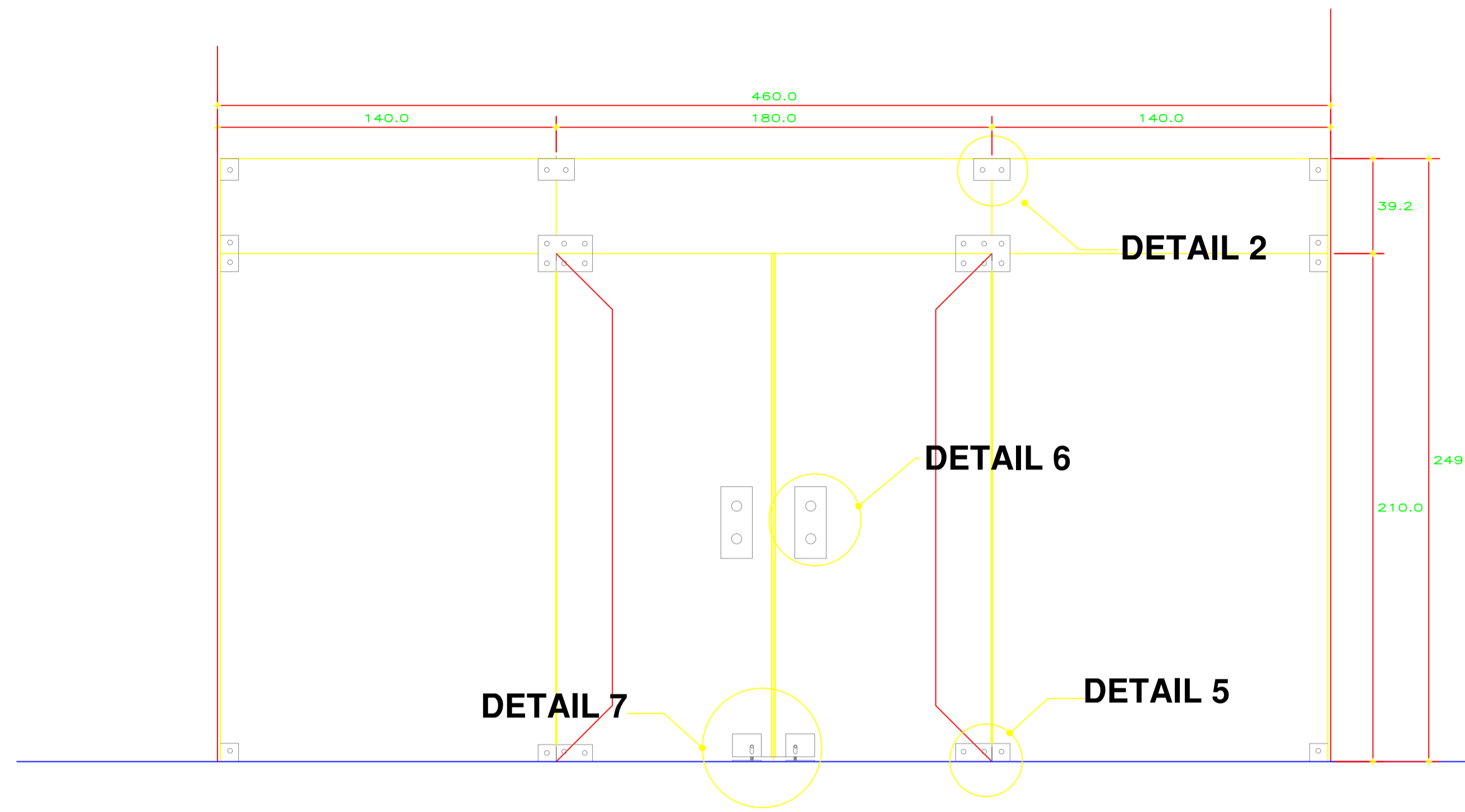
DETAIL SETTING OF CEILING

scale : No Scale



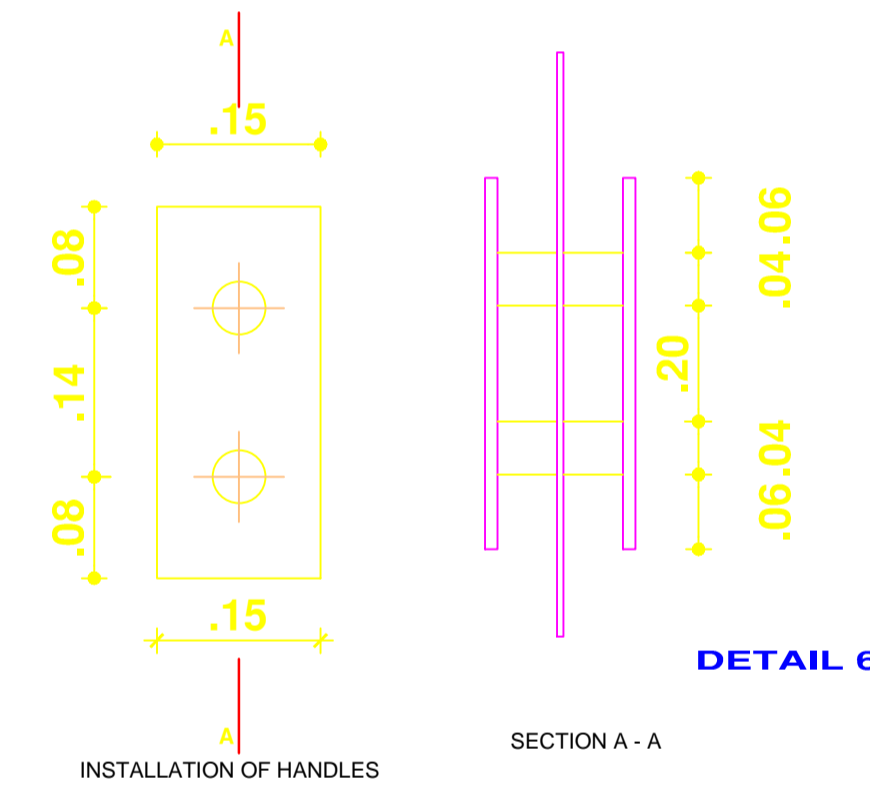
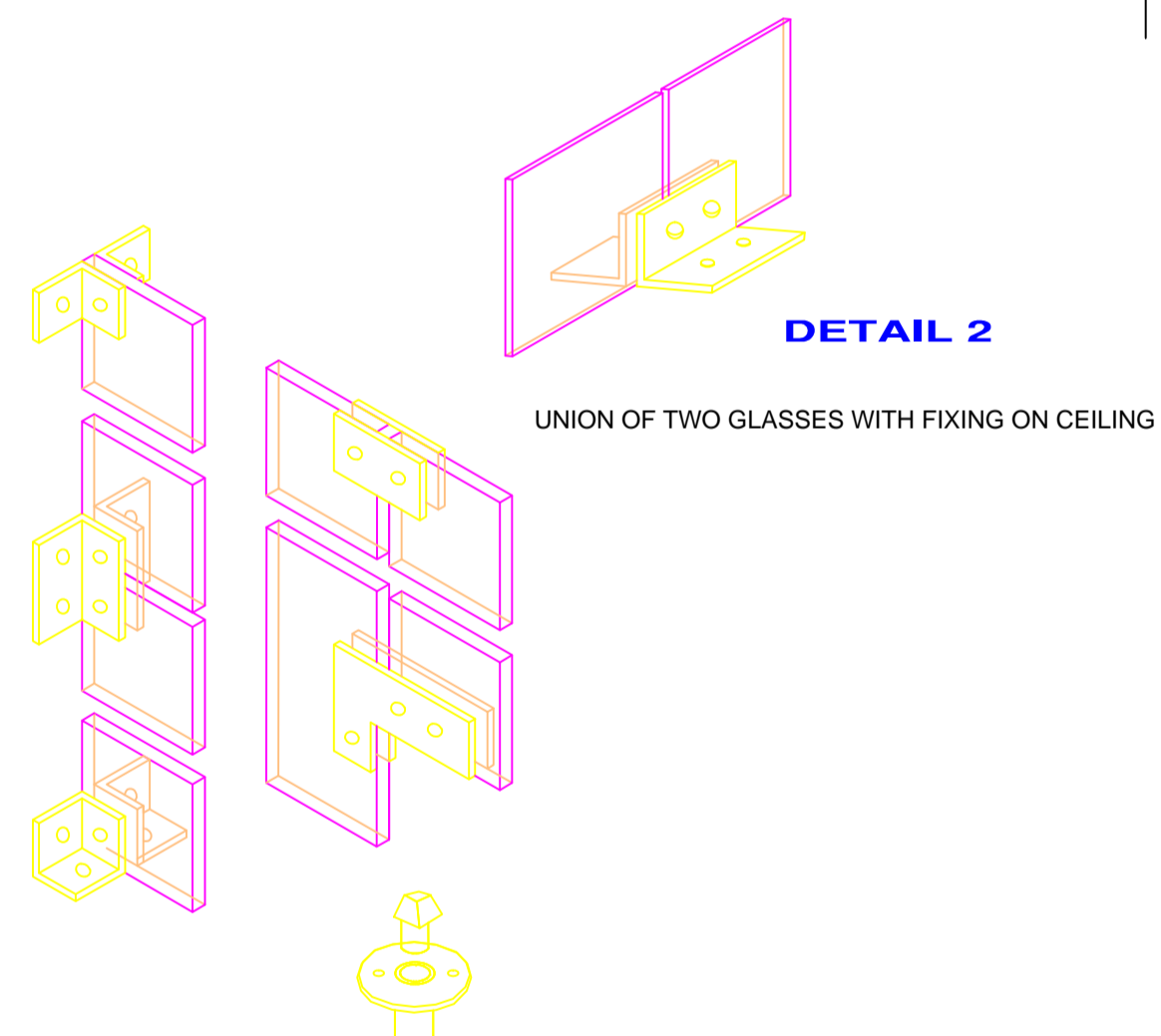
TYPICAL CEILING STRUCTURE WITH DOWNLIGHTS

scale : No Scale

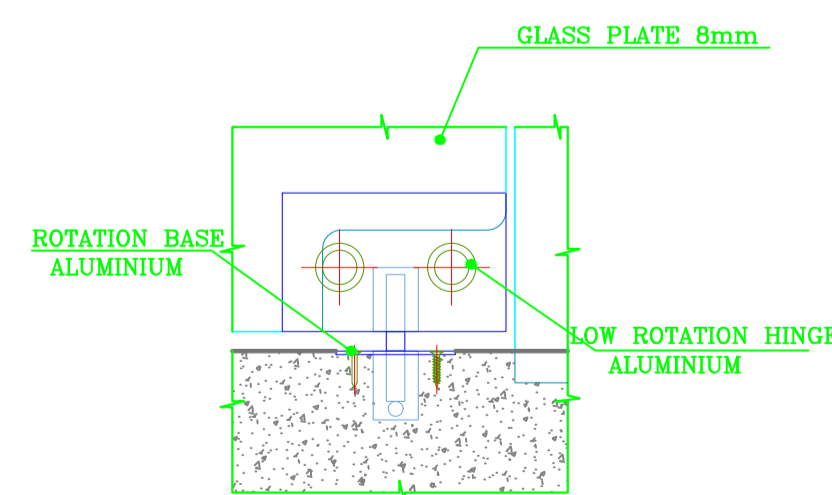
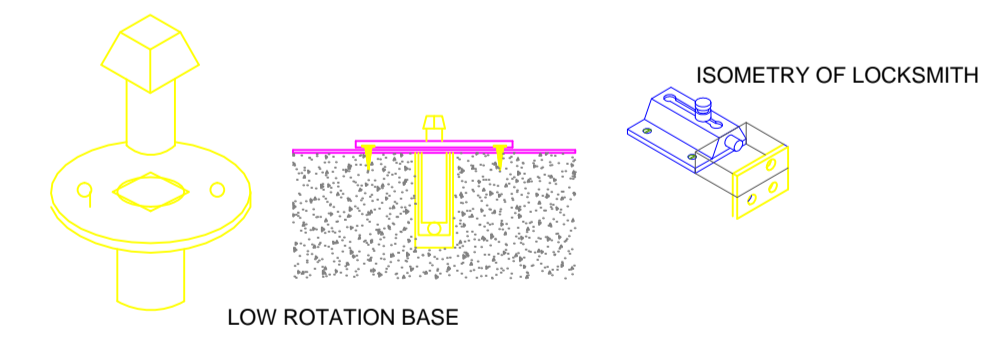


GLASS DOOR AND PARTITION DETAIL

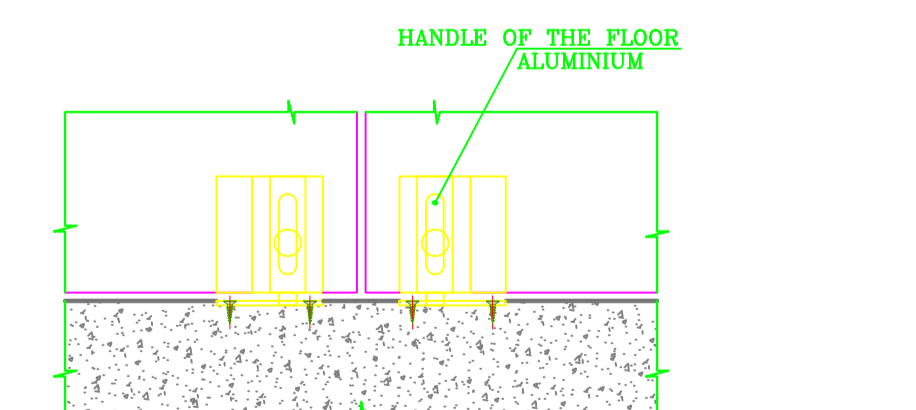
scale : As Shown (cm)



ACCESSORIES



ROTATION BASE DETAIL 5



HANDLE OF THE WALL DETAIL 7

General Notes

- 1) Contractor shall submit the ceiling accessories and specifications for approval.
- 2) All measurements to be adjusted on site
- 3) Contractor shall submit the glass door/partition accessories and specification for approval.

1.	First Draft	29.5.17
No.	Revision/Issue	Date

FIRM NAME AND ADDRESS:

KIPERASI MALIMJAYA TANJUNG MALIM BHD
NO. 9, JALAN ZAABA, TAMAN LOKE YEW
35900, TANJUNG MALIM PERAK.

PROJECT NAME AND ADDRESS:

KERJA-KERJA MENAKTARAF
PEJABAT TETUAN KIPERASI
MALIMJAYA TANJUNG MALIM
BERHAD

DESIGNED BY: MUHD AZMIR BIN HJ. ABD MUTALIB	DESCRIPTION: CONFERENCE ROOM'S CEILING AND GLASS DOOR
DATE: 29/05/2017	
SCALE: AS SHOWN	